

February/March
2017

A publication
provided for residents by
the City of West Covina



WWW.WESTCOVINA.ORG



Discover West Covina

THE OFFICIAL NEWSLETTER OF WEST COVINA

City and School Districts Launch SHOP LOCAL AFTER SCHOOL PROGRAM

The City of West Covina, in partnership with the West Covina Unified School District and the Covina-Valley Unified School District, is launching a new program and business opportunity to benefit our local youth.

The new Shop Local After School Program is designed to encourage residents and visitors of West Covina to shop at local retailers that give back to local schools.

With local businesses' support, the children of West Covina will benefit from enriching programs in science, engineering, music, dance, robotics, cultural arts and many other after-school programs while businesses receive increased brand awareness and marketing.

The school districts in West Covina have a strong



commitment to academic excellence, and this supplemental after-school program aims to provide opportunities for children in elementary school through high school to experience science, technology, engineering, arts and math (STEAM).

Some children are not engaged

in the classroom with the core curriculum, and non-traditional programming helps them stay in school. This program, once fully funded, will offer initiatives such as a culinary art class or computer game engineering to students who either don't have the means or the availability in their daily school schedules. This program will expose them to new experiences they might have otherwise missed.

The City of West Covina, the West Covina Unified School District and the Covina-Valley Unified School District are pleased to offer this new program to the youth in the community. To learn more about this partnership and sponsorship opportunities, please visit the website, www.westcovina.org/shoplocalafterschool, and support local schools.

THE SHOP LOCAL AFTER SCHOOL PROGRAM
IS MADE POSSIBLE BY THESE PARTNERS:



West Covina Police Department

Citizens Academy Returns Thursday, Feb. 9

In 2016, the West Covina Police Department brought back the popular Citizens Academy program. This program consists of classes held Thursday evenings at West Covina City Hall to give members of the community an up-close and personal look at how the West Covina Police Department operates.

Class members learn about various police personnel, tools and techniques that work to enhance public safety. Class members also observe aspects of police operations, including patrol, investigations, forensics, SWAT, and K9 operations.

Classes are free and will be held every Thursday from 6 to 8:30 p.m. at City Hall for 10 consecutive weeks beginning Feb. 9.

To sign up or for more information, e-mail CitizensAcademy@wcpd.org or call (626) 939-8530.



City of West Covina
Public Works Department
Environmental Services Section

FREE ELECTRONIC WASTE ROUND-UP

West Covina Maintenance Yard
825 S. Sunset Ave. West Covina



Recycling Items Accepted:

TVs, Monitors, Computers, Laptops, Cell Phones, iPods, Stereos,
Game console, DVD/VCR Players, Printers, Fax machines, Modems

No Hazardous or Bulky Waste Accepted

For more information, call Public Works Environmental Services Section at (626) 939-8458 or visit our website at



www.westcovina.org/environment



CITY OF WEST COVINA BIRTHDAY CELEBRATION

Wednesday, Feb. 15
South Hills Country Club
2655 S. Citrus St., West Covina

Entertainment and social hour 6 p.m.

Dinner 7 p.m.

Beautification awards 8 p.m.

- RSVP BY FEB. 8 -

To RSVP or for more information,
call West Covina Beautiful
President Colleen Rozatti
at (626) 384-8126.



Passport Services Available at City Hall

The City Clerk's Office at West Covina City Hall offers one-stop service and assistance in filing U.S. passport applications by personnel trained in passport application procedures. Passport photos are also available.

The City Clerk's office, 1444 W. Garvey Ave., is open for passport application acceptance on Mondays and Wednesdays from 9 a.m. to 3 p.m. No appointment is necessary; walk-in service is available.



For the most up-to-date and accurate information, visit the Department of State's website at www.travel.state.gov, or call the City's passport hotline at (626) 939-8744.

SCORE WORKSHOPS

UPCOMING SCORE WORKSHOPS

What & When |

Financial Planning

February 23, 2017

Branding, Marketing, and Sales

March 30, 2017

April 27, 2017

May 3, 2017

Business to Business

September 28, 2017

October 26, 2017

November 9, 2017

*series subject to change

Technology to Improve Sales

June 29, 2017

July 27, 2017

August 24, 2017

Where | 1444 W. Garvey Ave. South
West Covina, CA 91790
Council Chambers

Time | 6:00 pm - 8:00 pm



Free workshops and business consultations for local entrepreneurs and business owners. For more information about the SCORE Workshops, visit the City's website at www.westcovina.org (Community and Economic Development) or visit SCORE's website at <https://eastongabrielvalley.score.org/>.



CITY OF WEST COVINA

STATE OF THE CITY

SAVE THE DATE

Thursday | March 9, 2017 | 8:00am - 10:00am

HURST RANCH | 1227 S. ORANGE AVE., WEST COVINA, CA 91790

For more information, please visit www.greaterwestcovina.com or www.westcovina.org.

2017

Cherry Blossom FESTIVAL

**SATURDAY, MARCH 18
12:00 NOON TO 6:00 P.M.**

FREE ADMISSION

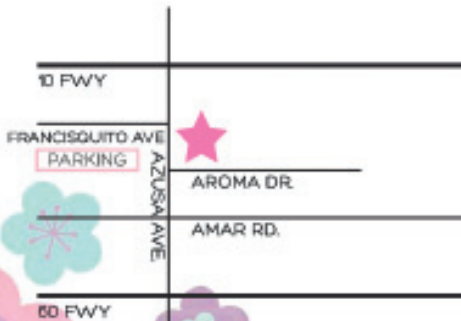
SOUTH HILLS PLAZA
1420 S. Azusa Ave. | West Covina
Corner of Azusa Ave. and Aroma Dr.

Sponsored by



SOUTH HILLS PLAZA

WEST COVINA



food • martial arts • games • taiko drumming • craft vendors • and more

BRIDGING CULTURE, FAMILY, AND COMMUNITY

1203 West Puente Avenue | West Covina, CA 91790
For more information | 626.960.2566 | esgvjcc.org
ESGVJCC is a not-for-profit 501(c)(3) organization



**EAST SAN GABRIEL VALLEY
JAPANESE COMMUNITY CENTER ESGVJCC**

Upcoming FREE Community Events

Egg-Celebration
Saturday, April 15
10 a.m. to 1:30 p.m.

Shadow Oak
 Community Center
 2121 E. Shadow Oak Drive
 Egg hunt at 11 a.m.
 Take photos with the
 "Spring Bunny".

Earth Day
Saturday, April 22
9 a.m. to 1 p.m.
 Cortez Park
 2441 E. Cortez St.

Community Service Day
Saturday, April 29
8 a.m. to 2 p.m.
 Civic Center, 1444 W.
 Garvey Ave. South

Come volunteer for a day of service in the community. Volunteers meet at the Civic Center and then go out into the community for service.

Projects will include painting, park cleanup and planting, food drives, and home rehabilitation.

To volunteer, call Mike Cresap at (626) 939-8853.



Farmers Market Under New Management Same Location, New Management Team!

"Farmers Markets and Local Community Events" is now running the Farmers Market on Glendora Avenue. The nonprofit organization has exciting plans for the future, including live music, rides, interactive crafts and activities for kids, and new vendors with more variety of products and fresh produce for the community.

The Farmers Market runs on Saturdays from 8 a.m. to 1 p.m., rain or shine, on Glendora Avenue near Edwards Theater.

NEW BUSINESSES COME TO WEST COVINA

*Check out these new businesses in West Covina
 and shop locally!*

Eastland Center (2756 E. Eastland Center Drive)

- Famous Footwear – Winter 2017

McIntyre Square (220 S. Citrus St.)

- After's Ice Cream – February 2017

Plaza West Covina (112 Plaza Drive)

- Stone Oven Gourmet Sandwiches & Salads – Now Open
- Jump'n Jammin Children's Entertainment Center – February 2017

Others:

- American Tires (444 S. Vincent Ave.) – Fall 2017
- Tacos El Gavilan (101 S. Azusa Ave.) – Winter 2017
- Porto's Bakery (1360 W. Garvey Ave.) – Winter 2018



HOUSING PRESERVATION LOAN PROGRAM

Do you have pending home improvements that are in dire need? Do you have home improvement projects that you have been putting off? Do you have a leaky roof or are you in need of new windows? Need to replace a block wall or is your home in need of a fresh coat of paint? West Covina homeowners can apply for a Housing Preservation Loan from the West Covina Community and Economic Development Division for up to \$10,000 to make the home improvements that your home is in need of. The City of West Covina Housing Preservation Program (HPP) makes available to eligible West Covina homeowners (please see income guidelines below) a 5% interest loan of up to \$10,000 for exterior improvements. Loans repaid within the first ten (10) years accrue no interest. The loan aims to assure that West Covina's homes are preserved, well maintained and of quality living conditions.

2016 MAXIMUM INCOME LIMITS

Family Size	Annual Income
1	\$ 45,350
2	\$ 51,850
3	\$ 58,350
4	\$ 64,800
5	\$ 70,000
6	\$ 75,150
7	\$ 80,350
8	\$ 85,550

(Based on gross effective median income of Los Angeles County. Revised annually on Jan 1st in '15. Cal. Code Reg., Section 8872.41 of Reg 29, 2014.)

Please contact Community & Economic Development for more information at (626) 939-8417 or visit our website at www.westcovina.org (Housing).



TO ADVERTISE IN DISCOVER WEST COVINA,
CALL (626) 939-8489.



Options
for Learning

FREE OR LOW COST
HIGH QUALITY PRESCHOOLS

Ages
3-5

Full-day Preschool

- Open 6:30am -6:00pm
- Year round-12 month program
- Designed for parents who are working or in training
- Fee is based on income

626-858-0527



State Preschool

- Half day classes in AM or PM
- Based on income and eligibility

626-854-3449



We are becoming
quite the
**Social
Butterfly!**

@WestCovinaCity
@WestCovinaPD
@WestCovinaFire

THE CITY OF WEST COVINA DOES NOT ENDORSE ANY OF THE PAID ADVERTISERS.

Choose an available
time in the comfort
of your own home.

InQuicker

*For patients with non life- or limb-threatening conditions.

Quick, simple, and secure. Visit www.cvhp.org

1. Find an Emergency Room near you.
2. Choose where and when you want to go.
3. Relax until your chosen time.



QUEEN OF THE VALLEY HOSPITAL
An Affiliate of Citrus Valley Health Partners
1115 S. Sunset Ave., West Covina, CA 91790
(626) 962-4011



FOOTHILL PRESBYTERIAN HOSPITAL
An Affiliate of Citrus Valley Health Partners
250 S. Grand Ave., Glendora, CA 91741
(626) 963-8411

West Covina Fire Department Addresses

Fire Safety in the Home

Cooking accidents and problems with home appliances and utilities are among the most common causes of residential fires, with the No. 1 source being cooking, usually from people leaving pots or pans unattended on the stove.

Cooking Safety

- Be alert when cooking, and don't leave food unattended.
- Don't throw water onto a grease fire. Grease and oils float on top of water, causing hot and fiery items to splash and spread the fire. Put a lid on the pan to smother the fire.
- If an oven fire flares up, turn off the oven and leave the door shut until the fire extinguishes itself.

Electrical Safety

Electrical fires can be caused by an equipment malfunction; from an overloaded circuit or extension cord; or from an overheated light bulb, space heater, washer, dryer or other appliance. Know the location of your home's circuit breaker panel, as a faulty outlet or appliance can be shut off by turning off the circuit.

- Don't overload outlets or extension cords. Read all labels and warnings advising proper use.
- Make sure you have the right cord for the job – inside cords for inside use, and heavy-duty/outside cords for outdoor use.
- Make sure all wiring is properly insulated.
- If electrical outlets are near water, such as in the kitchen or bathrooms, make sure they are GFCI outlets.



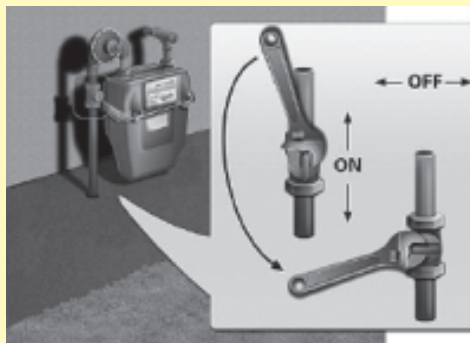
The photo above shows a typical circuit breaker panel with switches that indicate if the circuit is on or off.

Clothes Dryer Safety

Clothes dryer fires are also among the most common origins of residential fires, accounting for 15,000 to 20,000 fire incidents per year. The most frequent articles that start fires are excess lint and also clothing items themselves.

Most dryers also use natural gas. Ensure the gas valve is properly installed and maintained. When in doubt, consult a professional.

- Clean the lint screen frequently, and don't run the dryer without it.
- For gas and propane dryers, make sure there aren't any leaks in the gas lines, and use plumbers's tape over the threads to prevent leaking.
- Vent the dryer to the outside of the house and ensure nothing



The illustration above shows how to shut off a gas valve.

blocks the vent pipe. Clean out the vent pipe every three months.

Furnace and Water Heater Safety

Like dryers, furnaces and water heaters use natural gas. Know where your gas shutoff is and how to use it. Also, many furnaces and water heaters use piloted ignition.

Your furnace or water heater should be at least 18 inches off the floor to keep the pilot light away from combustibles at floor level.

- Remove all flammable materials and chemicals from the area surrounding your furnace.
- Be aware of changes in the air, such as an unusual odor, that may indicate a major problem.
- Ensure nothing is obstructing air intakes or ventilation.
- Schedule an annual house call for your furnace and your water heater, especially if they are older models. Maintenance should be made by an HVAC professional or a plumber. These professionals will not only properly service these units, but can also ensure everything is up to code.

As always, ensure that you have smoke detectors and carbon monoxide detectors installed in your home. If battery-operated, install new batteries every six months, when the clocks are changed in the fall and the spring. If hard-wired, ensure they have a backup battery or you have additional detectors and alarms that are battery-operated in the event of a power outage.

Diabetes Mythbuster #9

It's Not Your Fault You Have Diabetes

(Don't Let The Blame or Shame Game Prevent You from a Healthy 2017)

Take Action Today.

Diabetes Care
PARTNERS 

1-877-227-3889

West Covina, Pasadena and Online
In-Center & Online Programs Available

ASK YOUR DOCTOR FOR A REFERRAL

Our Program May be Covered by Your Health Insurance.

Health Care Partners, Physician Associates, Brand New Day, Medicare, LACare Patients are Covered

www.diabetescarepartners.com



CAROLINA RUIZ STANDS BEHIND HER SERVICE

- Service that finds the right buyer at the right price
- Service that gets your house sold quickly
- Service that has clients raving
- Service that gets you moving

CALL TODAY FOR THE
CAROLINA RUIZ STYLE OF

SERVICE

CAROLINA RUIZ

REALTOR, BROKER

(626) 862-5654

Hablo Español • Cal BRE 01275776

Carolina@MyRealEstatePro.net
www.CarolinaRuiz.Realtor



Come visit our WEST COVINA URGENT CARE CENTER!

*NEW expanded hours from
11:00am to 10:00pm every day!*

Sometimes, it happens. You or a family member need to get **unexpected medical care - and quickly.** We care for a variety of health issues with much faster wait times and often less out-of-pocket costs than an ER. We care for children, too!

Additional services: IV hydration, labs, X-rays, and minor procedures including sutures, toe nail removal, incision, drainage, and more.

Lakeside Community Healthcare

1500 W. West Covina Parkway, West Covina, CA 91790
(626) 856-2248

Open Seven Days a Week

Including Holidays

11:00am - 10:00pm



Take Precautions to Keep **COYOTES** Away

Coyotes play an important role in the ecosystem, helping to keep rodent populations under control.

They are by nature fearful of humans. If given access to human food and garbage, their behavior changes. They lose caution and fear. They may cause property damage. They might threaten human safety. They might be killed.

Relocating a problem coyote is not an option because it only moves the problem to someone else's neighborhood.

Help prevent human-coyote conflicts by taking some precautions around your property.

'Coyote Country' Precautions

- Never feed or attempt to tame coyotes. The result may be deadly conflicts with pets or livestock, or serious injuries to small children.
- Do not leave small children or pets outside unattended.

- Install motion-sensitive lighting around the house.
- Trim ground-level shrubbery to reduce hiding places.
- Be aware that coyotes are more active in the spring, when feeding and protecting their young.



- If you are followed by a coyote, make loud noises. If this fails, throw rocks in the animal's direction.
- If a coyote attacks a person, immediately contact the nearest Department of Fish and Wildlife or law enforcement office.

Stash Your Food and Trash

- Allowing coyotes access to human food and garbage is

reckless and deadly.

- Coyotes primarily hunt rodents and rabbits for food, but will take advantage of whatever is available, including garbage, pet food and domestic animals.
- Put garbage in tightly closed containers that can't be tipped over.
- Remove sources of water, especially in dry climates.
- Bring pets in at night, and do not leave pet food outside.
- Avoid using bird feeders, as they attract rodents and other coyote prey.
- Provide secure enclosures for rabbits, poultry and other livestock.
- Pick up fallen fruit, and cover compost piles.

Ask your neighbors to follow these tips. Everyone should respect and protect wild animals and help keep them wild.

(Article from California Department of Fish and Wildlife)

Business Assistance Loans

The City of West Covina will be offering business loans to local businesses that need financial assistance. The loan will be based on the creation of new jobs, \$20,000 per full time equivalent position.

Applications will be available starting February 9, 2017 and submittal deadline for all applications is March 30, 2017.

For information on the loan program please visit the City website at www.westcovina.org.

Grand Opening "New Location"

906 S. Sunset Ave, Suite 105
West Covina CA, 91790
Call Now (626)480-1543

Pediatric Dentistry Kanoknuch Shiflett, D.D.S

Specialized in Dental care of children of all ages.

"We want your children to have a wonderful dental experience."

- Most dental insurances accepted
- Different levels of Sedation
- Se Habla Espanol!
- Financing available upon request



FREE EXAM
The Initial Exam for kids 18 months and younger is free. 2nd opinions Welcome!

SIGN UP FOR WEST COVINA 'eNOTIFICATIONS'

You can receive the Discover West Covina newsletter, press releases, emergency notifications, and other city news and event updates. Visit the City of West Covina's website at www.westcovina.org. Under the "About the City" tab, click on "eNotifications".

THE CITY OF WEST COVINA DOES NOT ENDORSE ANY OF THE PAID ADVERTISERS.

Century 21 Allstars #1 Century 21 Office in the U.S.

THE CLARK GROUP
SERVING ALL OF YOUR REAL ESTATE NEEDS

<p>TRICIA CLARK Leads Office NMLS #268286 (626) 664-3761 T.Clark@vphmc.com</p>	<p>KATHY CLARK Realtor # DRE #1290755 (626) 664-3050 KathyE.Clark@hotmail.com</p>	<p>FELICIA CLARK Broker Assoc. DRE #01720610 (626) 664-1779 FeliciaSells@gmail.com</p>
---	--	---

www.ClarkGroupOnline.com
RESIDENTIAL COMMERCIAL FINANCING

Yogurtland
ALWAYS MAKING A GOOD DAY GREAT!

Valid Through March 31, 2017
BUY ONE GET ONE 50% OFF
Yogurtland West Covina
1002 W. West Covina Pkwy.
Purchase one yogurt and get a second yogurt of equal or lesser value for 50% off. Subject to local health laws. Limit 1 coupon per customer. Cannot be combined with any other offer. See store for details.

Valid Through March 31, 2017
BUY ONE GET ONE 50% OFF
Yogurtland Azusa & Amar
2500 S. Azusa Ave.
Purchase one yogurt and get a second yogurt of equal or lesser value for 50% off. Subject to local health laws. Limit 1 coupon per customer. Cannot be combined with any other offer. See store for details.

Valid Through March 31, 2017
\$2 OFF
Yogurtland West Covina
1002 W. West Covina Pkwy.
Yogurtland Rewards member \$2 off soft-serve yogurt. Valid at participating locations only. Limit 1 coupon per customer. Cannot be combined with any other offer. See store for details.

Valid Through March 31, 2017
\$2 OFF
Yogurtland Azusa & Amar
2500 S. Azusa Ave.
Purchase the yogurt and get \$2 off soft-serve yogurt. Valid at participating locations only. Limit 1 coupon per customer. Cannot be combined with any other offer. See store for details.

Valid Through March 31, 2017
\$1 OFF
Yogurtland West Covina
1002 W. West Covina Pkwy.
Purchase the yogurt and get \$1 off soft-serve yogurt. Valid at participating locations only. Limit 1 coupon per customer. Cannot be combined with any other offer. See store for details.

Valid Through March 31, 2017
\$1 OFF
Yogurtland Azusa & Amar
2500 S. Azusa Ave.
Purchase the yogurt and get \$1 off soft-serve yogurt. Valid at participating locations only. Limit 1 coupon per customer. Cannot be combined with any other offer. See store for details.

Make their special day exactly that.

Nothing Bundt Cakes

Free Bundtlet
with the purchase of a Bundtlet

West Covina
1012 W. Covina Parkway • West Covina, CA 91790 • (626) 853-9400

Expires 3/31/17. Limit one coupon per guest. Cannot be combined with any other offer. Redeemable only at the bakery listed. Must be claimed in-bakery during normal business hours. No cash value.

— Connect with Birds and Other Bird Lovers —

Birds are all around us in our back yards, parks and natural areas, entertaining us with their beautiful songs and bright colors.

Do you love birds and want to learn more about them? If so, the Pomona Valley Audubon Society is the organization for you.

The Pomona Valley Audubon Society is a local Audubon chapter that covers the inland area that

includes West Covina and extends east to Ontario and south to Chino Hills.

Join the group for free monthly meetings that include bird ID tips, a bird-related talk, and refreshments, or attend a free field trip with experienced leaders to explore local birds and learn how to identify them. Monthly walks are offered at Rancho Santa Ana Botanic Gardens and Frank G.

Bonelli Park, and other trips that cover diverse areas such as San Dimas Canyon or Prado Park.

Visit the group's website, www.pomonavalleyaudubon.org, for meeting times, location and topics, as well as the field trip schedule and other information about local birding.

If you have questions, e-mail Suzanne Thompson at sthompson@pomona.edu.

BIRD QUIZ: Test your bird knowledge with this quiz. Can you identify each of these local birds shown below? Check your answers on the website, www.pomonavalleyaudubon.org. Click the "More..." tab and then click on "Birding Quiz and Answers."



*The Woman's Club of West Covina
cordially invites you to attend a
Colors of Spring Fashion Show*

Our Spring Collection showcases vibrant colors and eclectic pieces.

Thursday, March 23, 2017

11:00 am - 2:00 pm

Via Verde Country Club, Magnolias

1400 Avenida Entrada, San Dimas, California

Tickets: \$35 per person (includes lunch)

Contact Amelia Iniguez for more information at 626-915-5835

Proceeds benefit

The Woman's Club Scholarship Fund and Philanthropies

City of West Covina
1444 W. Garvey Ave.
West Covina, CA 91790

PRSRT STD
U.S. POSTAGE
PAID
WEST COVINA, CA
PERMIT #625

RESIDENTIAL CUSTOMER

CAR-RT SORT

WEST COVINA CITY COUNCIL



Mayor: Corey Warshaw
Mayor Pro Tem: Mike Spence
Councilman: Lloyd Johnson
Councilmember: James Toma
Councilman: Tony Wu

City Clerk: Nick Lewis • City Treasurer: Colleen Rozatti

Have ideas for "Discover West Covina?" E-mail: Discoverwestcovina@westcovina.org or mail to:
West Covina City Hall, Community Services Dept., Attn: Heather Sayers, 1444 W. Garvey Ave., West Covina, CA 91790

THE CITY OF WEST COVINA DOES NOT ENDORSE ANY OF THE PAID ADVERTISERS.

Royal Coaches
Auto Body & Towing
www.royalcoaches.com

14827 Ramona Blvd. Baldwin Park, CA 91706
Tel (626) 860-1824
Bill Salazar, Owner

208 N. Azusa Azusa, CA 91702
Tel (626) 334-0438
bill@royalcoaches.com

McDonough Law Offices

Accident & Personal Injury

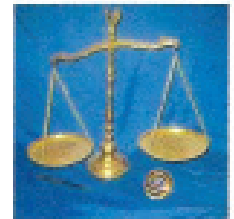
Timothy A. McDonough
Attorney-At-Law

112 Shoppers Lane
Tel (626) 974-8883

Fax: (626) 967-3006

mcdonoughlaw@aol.com

www.covinasuitandaccidentattorney.com



CAN EDUCATION GROUP 中美近平实验学校



2016-2017 K-12 Full-Time Program

- Enrolling K-12 Full-time student
招收K-12 全日制學生
- Provide home stay for international students
國際學生提供寄宿家庭



INTENSIVE SAT/PSAT/ACT WORKSHOPS

- SAT/PSAT/ACT 強化輔導班
- With Excellent Teachers, Free Trials, Free Diagnostic Test
- 10 HOURS
(6 Hours Instruction + 4 Hours Testing, Saturday, \$160/Week)
- AP English/History/Biology/Chemistry/Physics



HOST FAMILIES NEEDED 尋找寄宿家庭合作
Contact us now and become a host family that accommodate K-12 foreign students in Summer.
接受夏令營、遊學學生的寄宿家庭請與我們聯繫

AFTER SCHOOL

- \$75/week
- Coach in English, Math, Chinese
- Provide Transportation

Intensive English/Math Afterschool Program

- \$110/week
- Perfect for 4th Grader to 10th Grader
- Small class sizes for personalized attention
- More Reading/Writing/Math enhancement

SATURDAY ENRICHMENT CLASSES

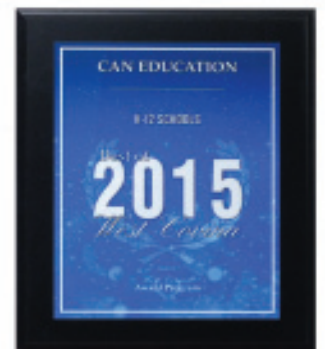
周六精華課程班

Test Prep: SAT/PSAT/AP Courses
Language: Chinese/Spanish/Vietnamese
Academic: English/Math/Writing/Speech

EXTRACURRICULAR COURSES

課外興趣班

Music: Piano/Cello/Guitar/Violin
Dance: Ballet/Hip-Hop
Computer: Website/3D Design/Photoshop
Fine Arts: Sketch/Water Color/Oil Painting
Sports: Tennis/Golf



WEST COVINA CAMPUS ENROLLMENT

西柯汶納總校

info@can-education.com
(626) 962-6611

670 S. Sunset Ave., West Covina, CA 91790



ROSEMEAD CAMPUS ENROLLMENT

柔似蜜校區 位於達夫小學內

Located in Duff Elementary School
(626) 757-9809

7830 Dorothy St, Rosemead, CA 91770

學校網址 Website

www.caneducationus.com
www.hihov.com